

MSI080

Mariner Kit for use with the HP LA1951g 19-inch TFT monitor (Desk mount)



The HP LA1951g 19-inch TFT monitor is type-approved by all of the major international marine Classification Societies when it is installed in conjunction with our Mariner Kit MSI080.

The MSI080 Mariner Kit is designed to fit onto any horizontal surface and affords protection against the effects of vibration and shock experienced in the offshore marine environment. The combination has been type-tested against IACS Unified Requirement E10 and the relevant sections of IEC60945 (see below right for test details).

This type-approved combination of hardware and Mariner Kit can be used as the platform for your critical navigation, control, loading and general purpose applications (please check individual type-approval certificates for any restrictions).

Please note that although the monitor does retain its standard functionality we do not offer an automatic dimming function and it can not therefore be used in the front of the bridge where it may affect night vision. However, the TFT monitor can be used in any area where night vision is not an issue.

**“Steer the right course
with Mariner Systems”**



WHAT IS SO SPECIAL ABOUT THE HP LA1951G 19-INCH TFT MONITOR?

- ◆ Be comfortable and productive while you reduce your energy bill with the all-new Advantage Series HP Compaq LA1951g 19-inch monitor
- ◆ Get crisp, clear views from 1000:1 contrast ratio and fast 5ms response time while you enjoy wide 160-degree viewing angles
- ◆ Native 1280 x 1024 resolution with over 16 million colours
- ◆ Work with legacy and developing graphics technologies with connections that support analog or digital (VGA, DVI-D connectors and HDCP support)
- ◆ The two-port USB hub provides quick peripheral connectivity
- ◆ The on-screen display button controls on the monitor front allows quick and easy adjustment of brightness, contrast and numerous other settings
- ◆ Reduced eyestrain and fatigue with anti-static and anti-glare film coatings
- ◆ HP Display LiteSaver feature allows you to schedule Sleep Mode at preset times to help protect the monitor against image retention, drastically lower power consumption and energy costs, and extend the lifespan of the monitor
- ◆ The HP Compaq LA1951g is TCO 5.0 Certified, has 50% less mercury versus previous models, up to 40% less max power consumption, an arsenic-free panel and BFR/PVC-free panel, cabinet and structural sheet metal
- ◆ Three-year limited parts and repair labour on-site warranty

This Mariner system is type-tested against the consolidated, 'worst-case' requirements of all the major international marine Classification Societies:

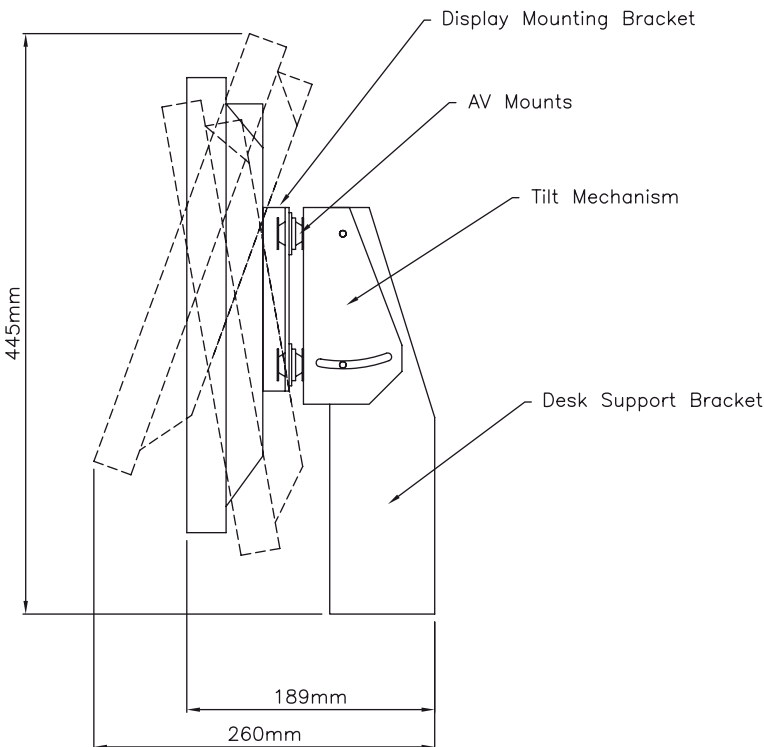
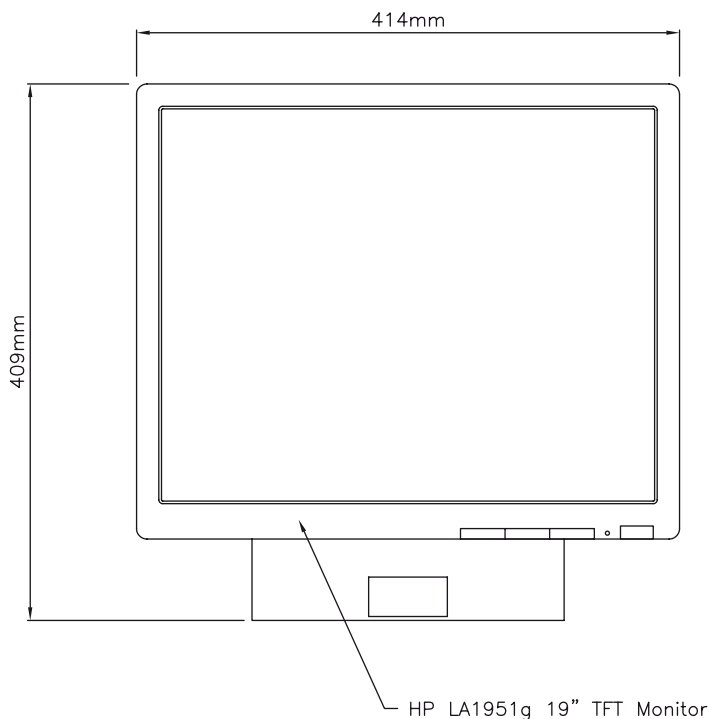
ABS, BV, CCS, DNV, GL, KR, LR, NKK, PRS, RINA

Type-tests included on the test programme are as follows:

- > Vibration, Shock, Static and Dynamic Inclination
- > Dry & Damp Heat, Low Temperature
- > Acoustic Noise, Compass Safe Distance
- > High Voltage, Power Supply Variation & Power Supply Failure
- > Conducted LF & RF, Electromagnetic Field
- > Radiated & Conducted Emissions, Electrostatic Discharge
- > Insulation Resistance, Burst / Fast Transients
- > Surge Immunity, Access to Dangerous Voltages

MSI080

Mariner Kit for use with the HP LA1951g 19-inch TFT monitor (Desk mount)



Mariner Systems (UK) Limited
 Oaklands Park • Wokingham • Berkshire • RG41 2FD • United Kingdom
 Telephone: +44 (0) 118 979 6020 • Facsimile: +44 (0) 118 979 6021
 sales@marinersystems.com • www.marinersystems.com

OPERATING GUIDELINES

Although all our equipment is tested against extreme environmental conditions for the purposes of marine type-approval, installation should take into account the following guidelines:

- > Keep the monitor away from excessive moisture, direct moisture and the extremes of heat and cold to ensure, where possible, that the unit is within the following operating/non-operating ranges:

	Operating	Non-Operating
Temperature	+5° to +35°C (+41° to +95°F)	-20° to +60°C (-4° to +140°F)
Humidity	20% to 80% (non-condensing)	5% to 90% (non-condensing)

- > Leave clearance on all vented sides of the monitor to permit the required airflow
- > Never restrict airflow into the monitor by blocking any vents or air intakes
- > If the monitor is to be operated within a separate enclosure, suitable ventilation should be provided

By following these guidelines you will maximise the life of your equipment and minimise service costs.

STATISTICS

Overall Fitted Dimensions (max)	414mm (w) x 445mm (h) x 260mm (d)
Weight (Mariner Kit only)	2.0 kg
Weight (including hardware)	6.5 kg
Type	Active matrix, thin film transistor (TFT)
Viewable Image Area (diagonal)	19 in (48.25cm)
Screen Opening (W x H)	14.9 x 11.9 in (37.8 x 30.3 cm)
Recommended Resolution	1280 x 1024 @ 60 Hz
Mariner Kit Tilt Range	10 degrees down; 20 degrees up
Viewing Angle (typical)	Up to 160 degrees horizontal / 160 degrees vertical (10:1 contrast ratio)
Brightness (typical)	250 nits (cd/m ²)
Contrast Ratio (typical)	1000:1
Response Rate (typical)	5 ms (rise + fall)
Pixel Pitch	0.294 mm
Plug and Play	Yes (supports VESA DDC2B and DDC/CI; PC2001 compliant)
Input signal	Two connectors: one 15-pin mini D-sub analog VGA and one DVI-D
Video Cable Length	70.9 in (1.8 m); detached
Buttons or switches	Power on/off; 3-button OSD
Power Supply	Auto-ranging, 90 - 265 VAC; internal power supply
Power Cable Length	74.8 in (1.9 m); detached